

American Standard

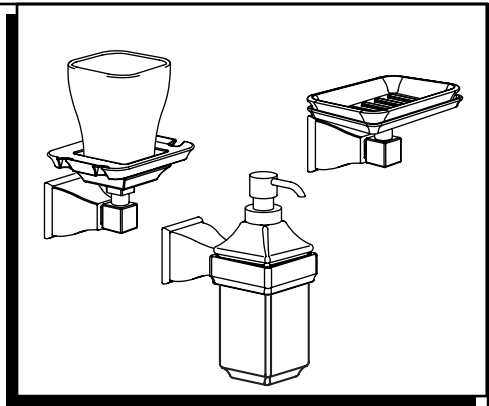
Installation Instructions

2555.050
2555.091
2555.051

TOWNSQUARE ACCESSORIES

SOAP DISH
TUMBLER WITH TOOTHBRUSH HOLDER
LOTION/SOAP DISPENSER

Thank you for selecting American-Standard...the benchmark of fine quality for over 100 years.
To ensure that your installation proceeds smoothly—please read these instructions carefully before you begin.

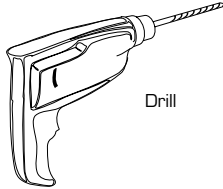


M968228C

Recommended Tools



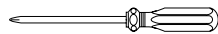
Tape Measure



Drill



Regular Screwdriver



Phillips Screwdriver

CARE INSTRUCTIONS:

DO: SIMPLY RINSE THE PRODUCT CLEAN WITH CLEAR WATER. DRY WITH A SOFT COTTON FLANNEL CLOTH.

DO NOT: CLEAN THE PRODUCT WITH SOAPS, ACID, POLISH, ABRASIVES, HARSH CLEANERS, OR A CLOTH WITH A COARSE SURFACE.

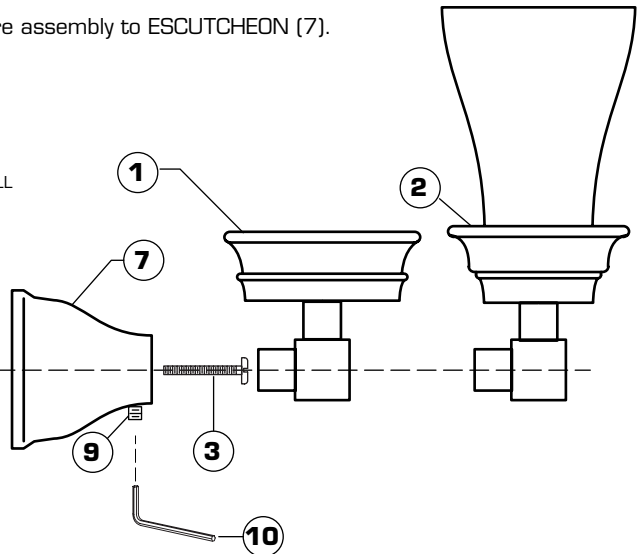
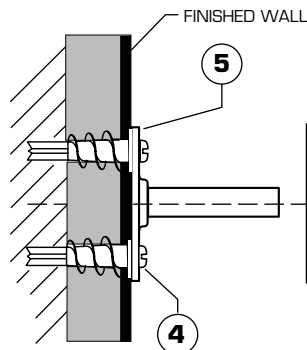
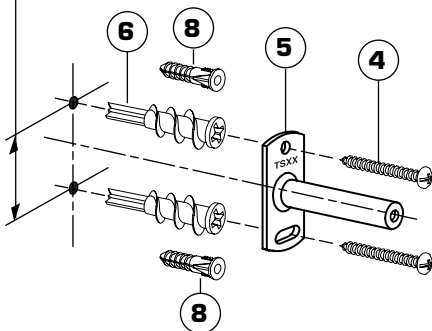
1 SOAP DISH, LOTION/SOAP DISPENSER and TUMBLER WITH TOOTHBRUSH HOLDER MOUNTING & INSTALLATION

- The SOAP DISH (1), TUMBLER WITH TOOTHBRUSH HOLDER (2) and LOTION/SOAP DISPENSER (11) work best if secured to a wall stud or cross brace within the wall, using the SCREWS (4) supplied.
- If the SOAP DISH (1), TUMBLER WITH TOOTHBRUSH HOLDER (2) and LOTION/SOAP DISPENSER (11) are to be installed on a tile or plaster wall the DRYWALL ANCHORS (6) or TILE ANCHORS (8) and SCREWS (4) should be used.
- Determine desired height and location (optional) and mark a center line. Using the MOUNTING PLATE (5) as a template mark the two spots for the mounting holes. If MOUNTING PLATE (5) is secured to a stud or cross brace drill small pilot holes for SCREWS (4).
- **For installations on drywall**, use DRYWALL ANCHORS (6) and SCREWS (4) for securing MOUNTING PLATE (5) to wall. Place #2 Phillips screwdriver or cordless screwdriver into recess of anchor. Press into drywall while turning the anchor clockwise until it is seated flush with the wall. Place MOUNTING PLATE (5) over DRYWALL ANCHORS (6) and insert screws provided with #2 Phillips screwdriver. See illustration below. Secure MOUNTING PLATE (5) to wall with SCREWS (4).
- **For installations on tiled walls**, If TILE ANCHORS (8) and SCREWS (4) are use for securing MOUNTING PLATE (5), then drill two 1/4" diameter holes a minimum of 1-1/4" deep. Insert the two TILE ANCHORS (8) flush with face of the finished wall.
- Secure MOUNTING PLATE (5) to wall with SCREWS (4).

2 INSTALL SOAP DISH, TUMBLER WITH TOOTHBRUSH HOLDER and LOTION/SOAP DISPENSER

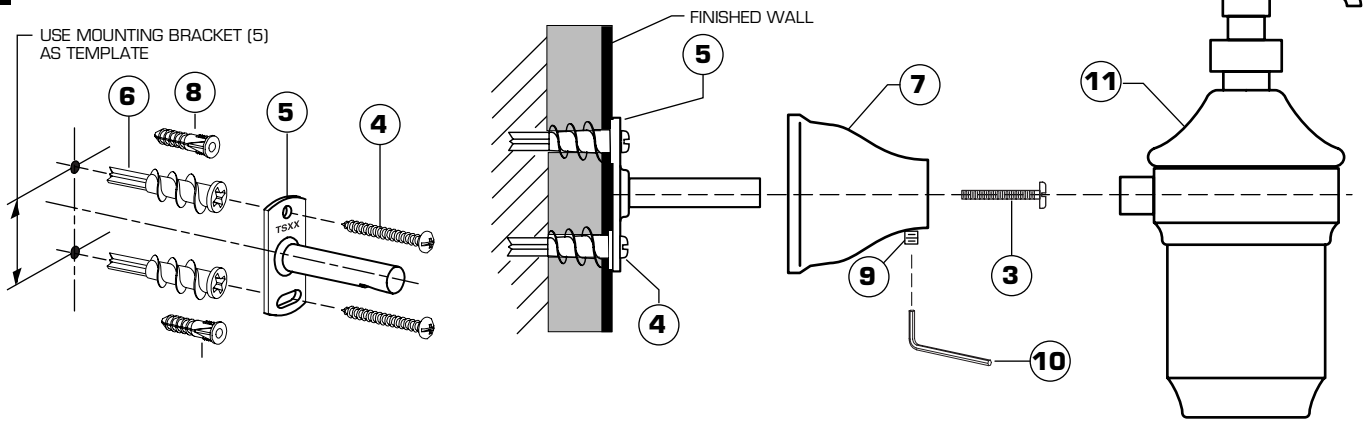
- Place ESCUTCHEON (7) onto MOUNTING BRACKET (5), and secure with ATTACHMENT SCREW (3).
- Install the SOAP DISH (1), TUMBLER WITH TOOTHBRUSH HOLDER (2) or LOTION/SOAP DISPENSER (11) into the WALL ESCUTCHEON (7).
- Tighten SET SCREW (9) using 2-1/2mm HEX KEY (10) supplied to secure assembly to ESCUTCHEON (7).

USE MOUNTING BRACKET (5)
AS TEMPLATE



2

INSTALL LOTION/SOAP DISPENSER



American Standard

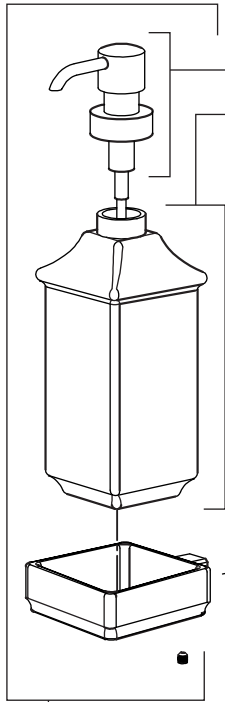
TOWNSQUARE ACCESSORIES

SOAP DISH
TUMBLER WITH TOOTHBRUSH HOLDER
LOTION/SOAP DISPENSER

MODEL NUMBERS

2555.050
2555.091
2555.051

LOTION/SOAP DISPENSER

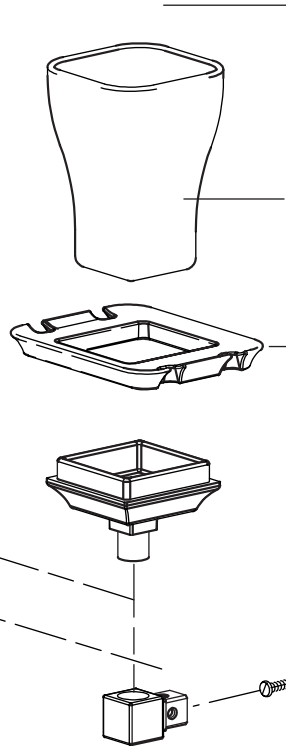


M950096-YYY0A
PUMP

M922270-0070A
DISPENSER BOTTLE

M962125-YYY0A
LOTION/SOAP
DISPENSER

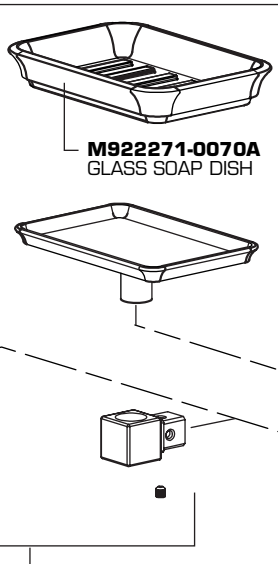
TUMBLER WITH TOOTHBRUSH HOLDER



M922273-0070A
TUMBLER

M922272-0070A
TOOTHBRUSH HOLDER

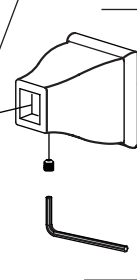
SOAP DISH



M922271-0070A
GLASS SOAP DISH

M962124-YYY0A
SOAP DISH

A918486-0070A
ATTACHMENT SCREW



M962118-0070A
MOUNTING
BRACKET

M962117-YYY0A
ESCUTCHEON

Replace the "YYY" with appropriate finish code

CHROME	002
POLISHED BRASS (PVD)	099
SATIN (PVD)	295



HOT LINE FOR HELP
For toll-free information and answers to your questions, call:
1-800 442-1902
Weekdays 8:00 a.m. to 8:00 p.m. EST
IN CANADA 1-800-387-0369 (TORONTO 1-905-306-1093)
Weekdays 8:00 a.m. to 7:00 p.m. EST

Product names listed herein are trademarks of American Standard Inc.
© American Standard Inc. 2002

M968228C